



Vehicle History Report™

Colbert

2014 NISSAN MAXIMA
3.5 S

VIN: 1N4AA5AP1EC438872
SEDAN 4 DR
3.5L V6 F DOHC 24V
GASOLINE
FRONT WHEEL DRIVE
Original Window Sticker



Accident reported

6/6/23



31 Service history records



CARFAX 1-Owner vehicle



Personal vehicle



Last owned in Florida



150,332 Last reported odometer reading

This CARFAX Vehicle History Report is based only on information supplied to CARFAX and available as of 6/6/23 at 5:36:24 PM (CDT). Other information about this vehicle, including problems, may not have been reported to CARFAX. Use this report as one important tool, along with a vehicle inspection and test drive, to make a better decision about your next used car.



Ownership History

The number of owners is estimated

Owner 1

Year purchased

2013

Type of owner

Personal

Estimated length of ownership

9 yrs. 7 mo.

Owned in the following states/provinces

Florida

Estimated miles driven per year

20,383/yr

Last reported odometer reading

150,332



Title History

CARFAX guarantees the information in this section

Owner 1

Damage Brands

Salvage | Junk | Rebuilt | Fire | Flood | Hail | Lemon



Guaranteed
No Problem

Odometer Brands

Not Actual Mileage | Exceeds Mechanical Limits



Guaranteed
No Problem



GUARANTEED - None of these major title problems were reported by a state Department of Motor Vehicles (DMV). If you find that any of these title problems were reported by a DMV and not included in this report, CARFAX will buy this vehicle back.
View Terms | View Certificate



Additional History

Not all accidents / issues are reported to CARFAX

Owner 1

Total Loss

No total loss reported to CARFAX.

No Issues Reported

Structural Damage

CARFAX recommends that you have this vehicle inspected by a collision repair specialist.

No Issues Reported

Airbag Deployment

No airbag deployment reported to CARFAX.

No Issues Reported

Odometer Check

No indication of an odometer rollback.

No Issues Indicated

Accident / Damage

Accidents reported: 11/07/2013, 08/13/2014, 12/20/2017, and 06/08/2021.

Accident Reported

Manufacturer Recall

Check with an authorized Nissan dealer for any open recalls.

No Recalls Reported

Basic Warranty

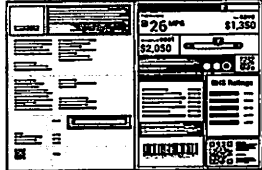

Original warranty estimated to have expired.

Warranty Expired



Detailed History

Owner 1 Personal Vehicle
Purchased: 2013 20,383 mi/yr

Date	Mileage	Source	Comments
10/05/2013		Nissan North America, Inc.	Vehicle manufactured and shipped to original dealer  Original Window Sticker
10/18/2013	6	Lorenzo Nissan Ft. Lauderdale Fort Lauderdale, FL 954-527-3400 4.4 / 5.0	 Vehicle serviced - Pre-delivery inspection completed - Wheel locks installed - Vehicle washed/detailed - Nitrogen fill tires

162 Verified Reviews
2,169 Customer Favorites

10/18/2013 10

AutoNation Nissan Fort Lauderdale
Fort Lauderdale, FL
954-527-3400

Vehicle offered for sale

10/26/2013

AutoNation Nissan Fort Lauderdale
Fort Lauderdale, FL
954-527-3400

Vehicle sold

10/26/2013

Florida
Motor Vehicle Dept.
Hollywood, FL
Title #0113209562

Vehicle purchase reported

- Title issued or updated
- Registration issued or renewed
- First owner reported
- Titled or registered as personal vehicle
- Vehicle color noted as Silver

11/07/2013

Damage Report

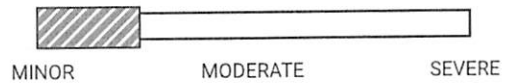


Accident reported: minor damage

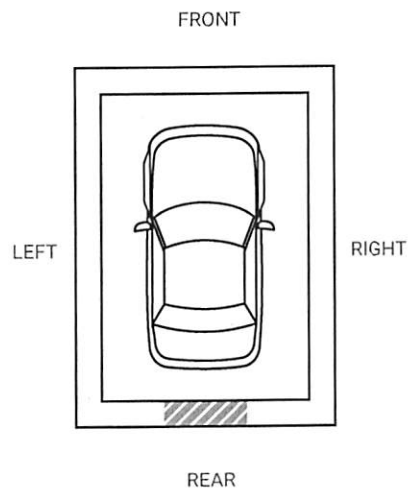
- Vehicle involved in a rear-end collision with another motor vehicle
- Damage to rear
- Vehicle functional
- Airbags did not deploy



Damage Severity Scale



Damage Location



11/11/2013 1,231

Lexus of Pembroke Pines
Pembroke Pines, FL
954-443-2020



Vehicle serviced

4.5 / 5.0

566 Verified Reviews
Customer Favorites
❤️ 20,074

11/12/2013

Florida
Motor Vehicle Dept.
Hollywood, FL
Title #0113209562

Title issued or updated

- Registration issued or renewed
- Titled or registered as personal vehicle
- Loan or lien reported
- Vehicle color noted as Silver

04/05/2014 9,718

AutoNation Nissan
Pembroke Pines
Pembroke Pines, FL
954-949-0421

4.4 / 5.0

414 Verified Reviews
Customer Favorites
❤️ 1,186



Vehicle serviced

- Maintenance inspection completed
- Recommended maintenance performed
- Brakes checked
- Oil and filter changed
- Tire condition and pressure checked
- Tires rotated

05/20/2014 13,448

AutoNation Nissan
Pembroke Pines
Pembroke Pines, FL
954-949-0421

4.4 / 5.0

414 Verified Reviews
Customer Favorites
❤️ 1,186



Vehicle serviced

- Maintenance inspection completed
- Recommended maintenance performed
- Brakes checked
- Oil and filter changed
- Tire condition and pressure checked

07/19/2014 17,297

AutoNation Nissan
Pembroke Pines
Pembroke Pines, FL
954-949-0421

4.4 / 5.0

414 Verified Reviews
Customer Favorites
❤️ 1,186



Vehicle serviced

- Maintenance inspection completed
- Brakes checked
- Tires rotated
- Oil and filter changed
- Tire condition and pressure checked

08/13/2014

Damage Report

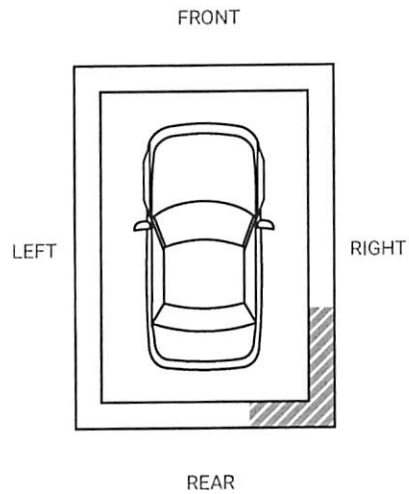


Accident reported with another motor vehicle

- Damage to right rear



Damage Location



09/20/2014 21,609

AutoNation Nissan
Pembroke Pines
Pembroke Pines, FL
954-949-0421

★ 4.4 / 5.0
414 Verified Reviews
♥ 1,186 Customer Favorites



Vehicle serviced

- Maintenance inspection completed
- Recommended maintenance performed
- Battery/charging system checked
- Brakes checked
- Oil and filter changed
- Tire condition and pressure checked
- Front wiper blades/refills replaced
- Wiper(s) replaced

11/23/2014 25,863

AutoNation Nissan
Pembroke Pines
Pembroke Pines, FL
954-949-0421

★ 4.4 / 5.0
414 Verified Reviews
♥ 1,186 Customer Favorites



Vehicle serviced

- Maintenance inspection completed
- Recommended maintenance performed
- Battery/charging system checked
- Brakes checked
- Oil and filter changed
- Tire condition and pressure checked
- Tires rotated

01/26/2015 30,011

AutoNation Nissan
Pembroke Pines
Pembroke Pines, FL
954-949-0421

★ 4.4 / 5.0
414 Verified Reviews
♥ 1,186 Customer Favorites



Vehicle serviced

- Maintenance inspection completed
- Recommended maintenance performed
- Battery/charging system checked
- Brakes checked
- Oil and filter changed
- Tire condition and pressure checked

03/26/2015 33,975


AutoNation Nissan
Pembroke Pines
Pembroke Pines, FL
954-949-0421

★ 4.4 / 5.0



Vehicle serviced


- Maintenance inspection completed
- Battery/charging system checked
- Tire condition and pressure checked
- Front wiper blades/refills replaced

414 Verified Reviews
 1,186 Customer Favorites

- Wiper(s) replaced

05/02/2015 36,468

AutoNation Nissan
Pembroke Pines
Pembroke Pines, FL
954-949-0421

 4.4 / 5.0

414 Verified Reviews
 1,186 Customer Favorites



Vehicle serviced

- Maintenance inspection completed
- Air filter replaced
- Four wheel alignment performed
- Drive belt(s) replaced
- Brakes checked
- Cabin air filter replaced/cleaned
- Oil and filter changed
- Tires rotated

06/02/2015

Florida
Motor Vehicle Dept.
Hollywood, FL
Title #0113209562

Registration issued or renewed

- Titled or registered as personal vehicle
- Loan or lien reported
- Vehicle color noted as Silver

07/18/2015 42,332

AutoNation Nissan
Pembroke Pines
Pembroke Pines, FL
954-949-0421

 4.4 / 5.0

414 Verified Reviews
 1,186 Customer Favorites



Vehicle serviced

- Maintenance inspection completed
- Recommended maintenance performed
- Battery/charging system checked
- Brakes checked
- Oil and filter changed
- Tire condition and pressure checked

10/24/2015 48,468

AutoNation Nissan
Pembroke Pines
Pembroke Pines, FL
954-949-0421

 4.4 / 5.0

414 Verified Reviews
 1,186 Customer Favorites



Vehicle serviced

- Maintenance inspection completed
- Air filter replaced
- Battery/charging system checked
- Brakes checked
- Oil and filter changed
- Tire condition and pressure checked
- One tire mounted
- Tire repaired
- Tires rotated
- Front wiper blades/refills replaced
- Wiper(s) replaced

11/30/2015


Florida
Motor Vehicle Dept.
Hollywood, FL
Title #0113209562


Registration issued or renewed

- Titled or registered as personal vehicle
- Loan or lien reported
- Vehicle color noted as Silver

01/10/2016 53,340

AutoNation Nissan
Pembroke Pines
Pembroke Pines, FL
954-949-0421












 4.4 / 5.0

414 Verified Reviews
 1,186 Customer Favorites



Vehicle serviced

- Maintenance inspection completed
- Recommended maintenance performed
- Battery/charging system checked
- Brakes checked
- Oil and filter changed
- Tire condition and pressure checked

01/23/2016	54,385	<p>AutoNation Nissan Pembroke Pines Pembroke Pines, FL 954-949-0421</p> <p>4.4 / 5.0</p> <p>414 Verified Reviews</p> <p> 1,186 Customer Favorites</p>	<p> Vehicle serviced</p> <ul style="list-style-type: none"> - Maintenance inspection completed - Rear brake pads replaced - Brake rotor(s) resurfaced - Tire condition and pressure checked
04/09/2016	58,752	<p>AutoNation Nissan Pembroke Pines Pembroke Pines, FL 954-949-0421</p> <p>4.4 / 5.0</p> <p>414 Verified Reviews</p> <p> 1,186 Customer Favorites</p>	<p> Vehicle serviced</p> <ul style="list-style-type: none"> - Battery/charging system checked - Brakes checked - Oil and filter changed - Tire condition and pressure checked - Safety inspection performed
04/23/2016	59,861	<p>AutoNation Nissan Pembroke Pines Pembroke Pines, FL 954-949-0421</p> <p>4.4 / 5.0</p> <p>414 Verified Reviews</p> <p> 1,186 Customer Favorites</p>	<p> Vehicle serviced</p> <ul style="list-style-type: none"> - Maintenance inspection completed - Battery/charging system checked - Brakes checked - A/C system checked - Tire condition and pressure checked
11/19/2016	74,454	<p>AutoNation Nissan Pembroke Pines Pembroke Pines, FL 954-949-0421</p> <p>4.4 / 5.0</p> <p>414 Verified Reviews</p> <p> 1,186 Customer Favorites</p>	<p> Vehicle serviced</p> <ul style="list-style-type: none"> - Battery/charging system checked - Brakes checked - Oil and filter changed - Tire condition and pressure checked
01/07/2017	77,566	<p>AutoNation Nissan Pembroke Pines Pembroke Pines, FL 954-949-0421</p> <p>4.4 / 5.0</p> <p>414 Verified Reviews</p> <p> 1,186 Customer Favorites</p>	<p> Vehicle serviced</p> <ul style="list-style-type: none"> - Battery replaced - Battery/charging system checked - Brakes checked - Tire condition and pressure checked - Safety inspection performed
01/20/2017		<p>Florida Motor Vehicle Dept. Hollywood, FL Title #0113209562</p>	<p>Registration issued or renewed</p> <ul style="list-style-type: none"> - Titled or registered as personal vehicle - Loan or lien reported - Vehicle color noted as Silver
08/26/2017	91,276	<p>AutoNation Nissan Pembroke Pines Pembroke Pines, FL 954-949-0421</p>	<p> Vehicle serviced</p> <ul style="list-style-type: none"> - Battery/charging system checked - Brakes checked - Oil and filter changed

★ 4.4 / 5.0
414 Verified Reviews
Customer
Favorites
♥ 1,186

- Tire condition and pressure checked
- Safety inspection performed

12/04/2017

Florida
Motor Vehicle Dept.
Hollywood, FL
Title #0113209562

Registration issued or renewed

- Titled or registered as personal vehicle
- Loan or lien reported
- Vehicle color noted as Silver

12/20/2017

Damage Report

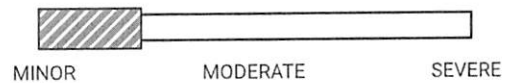


Accident reported: minor damage

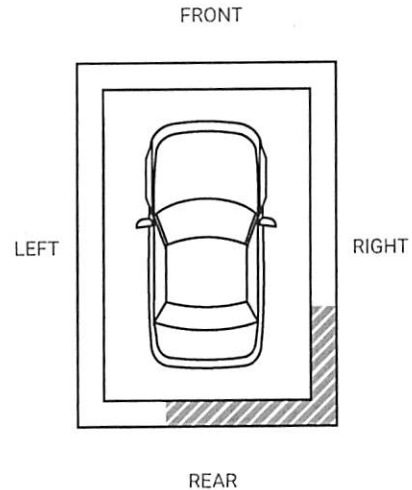
- Vehicle involved in a rear-end collision
- It hit a parked motor vehicle
- Damage to right rear
- Damage to rear
- Airbags did not deploy



Damage Severity Scale



Damage Location



01/06/2018 98,821

Lexus of Pembroke Pines
Pembroke Pines, FL
954-443-2020



Vehicle serviced

★ 4.5 / 5.0
566 Verified Reviews
Customer
Favorites
♥ 20,074

04/14/2018 103,279

AutoNation Nissan
Pembroke Pines
Pembroke Pines, FL
954-949-0421



Vehicle serviced


- 90,000 mile service performed
- Battery/charging system checked
- Brakes checked
- Axles checked

★ 4.4 / 5.0

414 Verified Reviews
Customer Favorites
1,186

- CV boot(s) checked
- Exhaust system checked
- Fuel system checked
- Exterior lights checked
- Headlights adjusted
- Parking brake system checked
- Steering/suspension checked
- Body lubricated
- Body electrical wiring repaired
- Air filter replaced
- Brake fluid flushed/changed
- Transmission fluid changed
- Drive belt(s) replaced
- Oil and filter changed
- Cabin air filter replaced/cleaned
- Radiator cap replaced
- Front wiper blades/refills replaced
- Safety inspection performed


12/31/2018 119,477 Weston Nissan Volvo
Davie, FL
855-340-4507
4.8 / 5.0
638 Verified Reviews
Customer Favorites
3,181

 **Vehicle serviced**
- Maintenance inspection completed
- A/C refrigerant recharged
- A/C compressor replaced
- Wiper(s) replaced


01/17/2019
Florida
Motor Vehicle Dept.
Hollywood, FL
Title #0113209562

Registration issued or renewed
- Titled or registered as personal vehicle
- Loan or lien reported
- Vehicle color noted as Silver

03/09/2019 123,763 Weston Nissan Volvo
Davie, FL
855-340-4507
4.8 / 5.0
638 Verified Reviews
Customer Favorites
3,181

 **Vehicle serviced**
- Maintenance inspection completed
- Front brake pads replaced
- Throttle body cleaned/serviced
- Oil and filter changed
- Tires rotated
- Air filter replaced

09/21/2019 135,039 Weston Nissan Volvo
Davie, FL
855-340-4507
4.8 / 5.0
638 Verified Reviews
Customer Favorites
3,181

 **Vehicle serviced**
- Maintenance inspection completed
- Fluids checked
- Oil and filter changed

11/12/2019
Florida
Motor Vehicle Dept.
Hollywood, FL
Title #0113209562

Registration issued or renewed
- Titled or registered as personal vehicle
- Vehicle color noted as Silver

02/15/2020 143,881 Weston Nissan Volvo
Davie, FL

 **Vehicle serviced**
- Maintenance inspection completed

855-340-4507

★ 4.8 / 5.0

638 Verified Reviews

♥ 3,181 Customer Favorites

- Air filter replaced
- Brake fluid flushed/changed
- Cabin air filter replaced/cleaned
- Oil and filter changed
- Tires rotated
- Power steering fluid flushed/changed

12/07/2020

Florida
Motor Vehicle Dept.
Hollywood, FL
Title #0113209562

Registration issued or renewed

- Titled or registered as personal vehicle
- Vehicle color noted as Silver

03/10/2021 150,332

Honest-1 Auto Care-
Davie
Davie, FL
954-417-7125

★ 4.8 / 5.0

282 Verified Reviews

♥ 2,653 Customer Favorites



Vehicle serviced

- Power steering fluid flushed/changed
- Power steering hose(s)/line(s) replaced

03/16/2021

Florida
Motor Vehicle Dept.
Hollywood, FL
Title #0113209562

Registration issued or renewed

- Titled or registered as personal vehicle
- Vehicle color noted as Silver

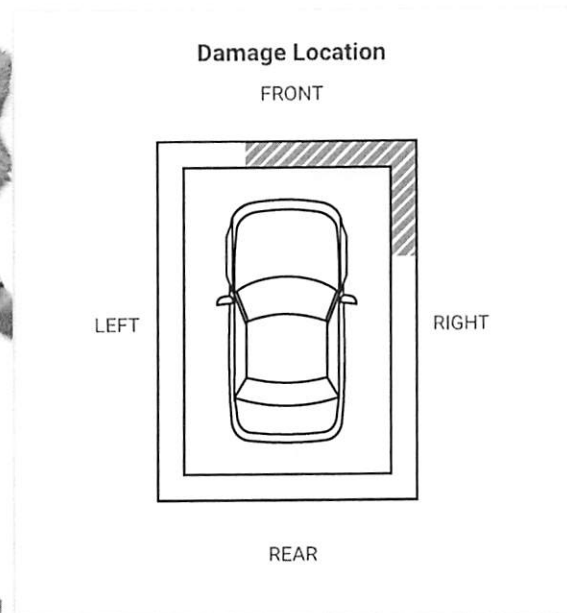
06/08/2021

Damage Report



Accident reported

- Vehicle involved in a sideswipe collision with another motor vehicle
- Damage to right front
- Damage to front
- Functional damage reported
- Airbags did not deploy



09/12/2021

Tire Kingdom
Pembroke Pines, FL



Vehicle serviced

- Tire condition and pressure checked

954-431-2300

4.5 / 5.0

100 Verified Reviews

 86 Customer Favorites

- Tires rotated
- Battery/charging system checked

10/25/2021

Tire Kingdom
Pembroke Pines, FL
954-431-2300

4.5 / 5.0

100 Verified Reviews

 86 Customer Favorites



Vehicle serviced

- Maintenance inspection completed
- Battery/charging system checked

11/20/2021

Tire Kingdom
Pembroke Pines, FL
954-431-2300

4.5 / 5.0

100 Verified Reviews

 86 Customer Favorites



Vehicle serviced

- Alignment performed
- Tire condition and pressure checked
- Tire pressure monitoring system checked
- Tire(s) replaced
- Alignment checked
- Battery/charging system checked
- Tire repaired
- Tire(s) balanced
- Tire pressure monitoring system serviced

01/05/2022

Tire Kingdom
Pembroke Pines, FL
954-431-2300

4.5 / 5.0

100 Verified Reviews

 86 Customer Favorites



Vehicle serviced

- Tire condition and pressure checked
- Tire pressure monitoring system checked
- Battery/charging system checked
- Tire(s) balanced
- Tire pressure monitoring system serviced

01/27/2022

Tire Kingdom
Pembroke Pines, FL
954-431-2300

4.5 / 5.0

100 Verified Reviews

 86 Customer Favorites



Vehicle serviced

- Battery/charging system checked

03/18/2022

Florida
Motor Vehicle Dept.
Hollywood, FL
Title #0113209562

Registration issued or renewed

- Titled or registered as personal vehicle
- Vehicle color noted as Silver

01/09/2023

Florida
Motor Vehicle Dept.
Hollywood, FL
Title #0113209562

Registration issued or renewed

- Titled or registered as personal vehicle
- Vehicle color noted as Silver

Have Questions? Please visit our Help Center at www.carfax.com.



Accident Indicator

CARFAX receives information about accidents in all 50 states, the District of Columbia and Canada.

Not every accident is reported to CARFAX. As details about the accident become available, those additional details are added to the CARFAX Vehicle History Report. CARFAX recommends that you have this vehicle inspected by a qualified mechanic.

- According to the National Safety Council, Injury Facts, 2021 edition, 5% of the 276 million registered vehicles in the U.S. were involved in an accident in 2019. Over 77% of these were considered minor or moderate.
- This CARFAX Vehicle History Report is based only on information supplied to CARFAX and available as of 6/6/23 at 5:36:24 PM (CDT). Other information about this vehicle, including problems, may not have been reported to CARFAX. Use this report as one important tool, along with a vehicle inspection and test drive, to make a better decision about your next used car.

Damage Severity

Damage events result in one of the following severity levels:

- Minor: Generally, minor damage is cosmetic (including dents or scratches), may only require reconditioning, and typically does not compromise a vehicle's operation and/or safety.
- Moderate: Moderate damage may affect multiple components of the vehicle and may impair the vehicle's operation and/or safety.
- Severe: Severe damage usually affects multiple components of the vehicle and is likely to compromise the vehicle's operation and/or safety.

CARFAX recommends getting a pre-purchase inspection at a certified collision repair facility.

First Owner

When the first owner(s) obtains a title from a Department of Motor Vehicles as proof of ownership.

Ownership History

CARFAX defines an owner as an individual or business that possesses and uses a vehicle. Not all title transactions represent changes in ownership. To provide estimated number of owners, CARFAX proprietary technology analyzes all the events in a vehicle history. Estimated ownership is available for vehicles manufactured after 1991 and titled solely in the US including Puerto Rico. Dealers sometimes opt to take ownership of a vehicle and are required to in the following states: Maine, Massachusetts, New Jersey, Ohio, Oklahoma, Pennsylvania and South Dakota. Please consider this as you review a vehicle's estimated ownership history.

Title Issued

A state issues a title to provide a vehicle owner with proof of ownership. Each title has a unique number. Each title or registration record on a CARFAX report does not necessarily indicate a change in ownership. In Canada, a registration and bill of sale are used as proof of ownership.

Follow Us:



[facebook.com/CARFAX](https://www.facebook.com/CARFAX)



[@CARFAXinc](https://twitter.com/CARFAXinc)



[About CARFAX](#)

CARFAX DEPENDS ON ITS SOURCES FOR THE ACCURACY AND RELIABILITY OF ITS INFORMATION. THEREFORE, NO RESPONSIBILITY IS ASSUMED BY CARFAX OR ITS AGENTS FOR ERRORS OR OMISSIONS IN THIS REPORT. CARFAX FURTHER EXPRESSLY DISCLAIMS ALL WARRANTIES, EXPRESS OR IMPLIED, INCLUDING ANY IMPLIED WARRANTIES OF MERCHANTABILITY OR FITNESS FOR A PARTICULAR PURPOSE.

© 2023 CARFAX, Inc., part of S&P Global. All rights reserved.
6/6/23 5:36:24 PM (CDT)