



# Vehicle History Report™

4/29/25

**2015 MAZDA MAZDA6 I TOURING**

VIN: JM1GJ1V56F1211292  
SEDAN 4 DR  
2.5L I4 F DOHC 16V  
GASOLINE  
FRONT WHEEL DRIVE

Accident reported

11 Service history records

CARFAX 1-Owner vehicle

Personal vehicle

Last owned in Florida

89,789 Last reported odometer reading



This CARFAX Vehicle History Report is based only on information supplied to CARFAX and available as of 4/29/25 at 5:07:24 PM (CDT). Other information about this vehicle, including problems, may not have been reported to CARFAX. Use this report as one important tool, along with a vehicle inspection and test drive, to make a better decision about your next used car.



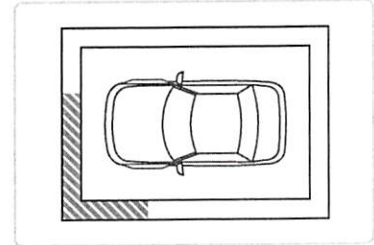
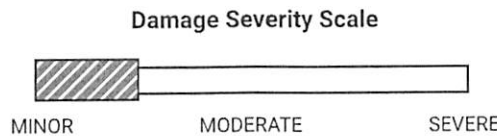
## Accident / Damage History

Not all accidents / issues are reported to CARFAX

### Event 1

05/28/2015

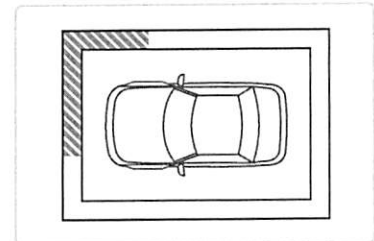
**Damage reported: minor damage**



### Event 2

05/07/2021

**Accident reported: minor damage with another motor vehicle**  
- Airbags did not deploy

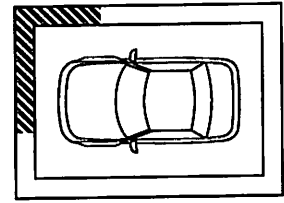
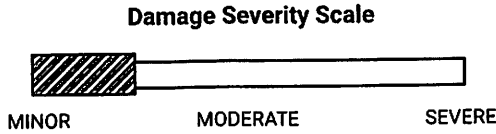


Event 3

06/02/2021

**Accident reported:  
minor damage with  
another motor vehicle**

- Airbags did not deploy



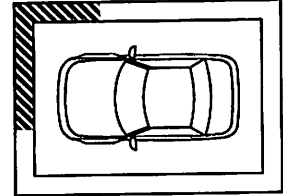
Event 4

05/12/2022

**Accident reported with another motor vehicle**

- Functional damage reported

- Airbags did not deploy

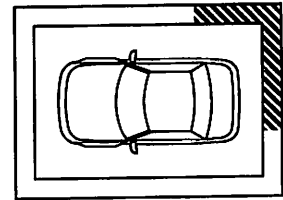
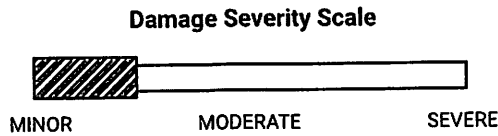


Event 5

11/20/2022

**Accident reported:  
minor damage with  
another motor vehicle**

- Airbags did not deploy



**Additional History**

Not all accidents / issues are reported to CARFAX

**Total Loss**

No total loss reported to CARFAX.

**Structural Damage**

CARFAX recommends that you have this vehicle inspected by a collision repair specialist.

**Airbag Deployment**

No airbag deployment reported to CARFAX.

**Odometer Check**

No indication of an odometer rollback.

**Accident / Damage**

Damage reported: 05/28/2015. Accidents reported: 05/07/2021, 06/02/2021, 05/12/2022, and 11/20/2022.

**Owner 1**

No Issues Reported

No Issues Reported

No Issues Reported

No Issues Indicated

Accident Reported

**Manufacturer Recall**

No open recalls reported to CARFAX.

 No Recalls Reported**Basic Warranty**

Original warranty estimated to have expired.

**Warranty Expired****Title History**

CARFAX guarantees the information in this section

**Owner 1****Damage Brands**

Salvage | Junk | Rebuilt | Fire | Flood | Hail | Lemon

 **Guaranteed No Problem****Odometer Brands**

Not Actual Mileage | Exceeds Mechanical Limits

 **Guaranteed No Problem**

**GUARANTEED** - None of these title problems were reported by a U.S. state Department of Motor Vehicles (DMV). If you find that any of these title problems were reported by a DMV and not included in this report, you may qualify.  
[View Terms](#) | [View Certificate](#)

**Ownership History**

The number of owners is estimated

**Owner 1**

Year purchased

2014

Type of owner

Personal

Estimated length of ownership

10 yrs. 5 mo.

Owned in the following states/provinces

Florida

Estimated miles driven per year

10,221/yr

Last reported odometer reading

89,789

**Detailed History****Owner 1**

Purchased: 2014



**Low mileage!** This owner drove less than the industry average of 15,000 miles per year.

Personal Vehicle  
10,221 mi/yr

**Date****Mileage****Source****Comments**

11/11/2014

NICB

**Vehicle manufactured and shipped to Florida**

11/13/2014 1

Gunther Motor Company

**Vehicle offered for sale**


★ 4.5 / 5.0

730 Verified Reviews

 24 Customer Favorites

11/15/2014

Gunther Volkswagen of  
Ft. Lauderdale  
Fort Lauderdale, FL  
954-453-6329

 4.5 / 5.0

462 Verified Reviews

 320 Customer Favorites



**Vehicle serviced**

- Pre-delivery inspection completed
- Maintenance inspection completed
- Battery/charging system checked
- Brakes checked
- Tire condition and pressure checked
- Vehicle washed/detailed

11/22/2014 4


Florida  
Motor Vehicle Dept.

**Vehicle purchase reported**


- Registration issued or renewed
- Titled or registered as personal vehicle
- Vehicle color noted as Gray

12/08/2014 360

Gunther Volkswagen of  
Ft. Lauderdale  
Fort Lauderdale, FL  
954-453-6329

 4.5 / 5.0

462 Verified Reviews

 320 Customer Favorites



**Vehicle serviced**

- Maintenance inspection completed
- Battery/charging system checked
- Brakes checked
- Nitrogen fill tires
- Tire condition and pressure checked

12/08/2014

Florida  
Motor Vehicle Dept.  
Fort Lauderdale, FL

**Title issued or updated**

- First owner reported
- Titled or registered as personal vehicle
- Loan or lien reported
- Vehicle color noted as Gray

12/30/2014

Gunther Volkswagen of  
Ft. Lauderdale  
Fort Lauderdale, FL  
954-453-6329

 4.5 / 5.0

462 Verified Reviews

 320 Customer Favorites



**Vehicle serviced**

- Pre-delivery inspection completed
- Maintenance inspection completed
- Battery/charging system checked
- Brakes checked
- Tire condition and pressure checked

01/07/2015

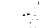
Florida  
Motor Vehicle Dept.  
Fort Lauderdale, FL

**Title issued or updated**

- Titled or registered as personal vehicle
- Loan or lien reported
- Vehicle color noted as Gray

04/23/2015 3,685

Gunther Volkswagen of  
Ft. Lauderdale  
Fort Lauderdale, FL  
954-453-6329

 4.5 / 5.0

462 Verified Reviews

 320 Customer Favorites



**Vehicle serviced**

- Maintenance inspection completed
- Battery/charging system checked
- Brakes checked
- Oil and filter changed
- Tire condition and pressure checked

05/28/2015

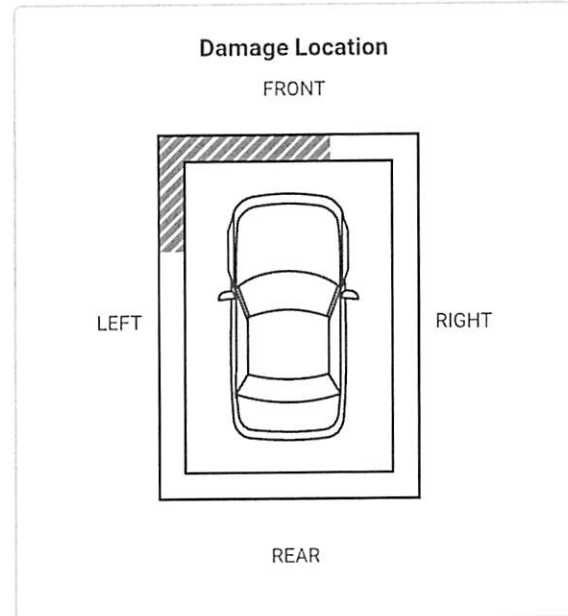
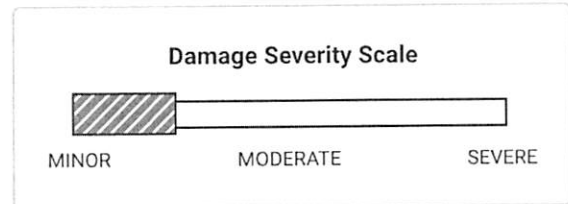
Damage Report



**Damage reported: minor damage**

- Damage to front

- Damage to left front



06/09/2015 4,753

Gunther Volkswagen of  
Ft. Lauderdale  
Fort Lauderdale, FL  
954-453-6329

★ 4.5 / 5.0

462 Verified Reviews

♥ 320 Customer Favorites



**Vehicle serviced**

12/07/2015

Florida  
Motor Vehicle Dept.  
Fort Lauderdale, FL

**Registration issued or renewed**

- Titled or registered as personal vehicle
- Loan or lien reported
- Vehicle color noted as Gray

06/01/2016 15,602

Gunther Volkswagen of  
Ft. Lauderdale  
Fort Lauderdale, FL  
954-453-6329

★ 4.5 / 5.0

462 Verified Reviews

♥ 320 Customer Favorites



**Vehicle serviced**

- Maintenance inspection completed
- Battery/charging system checked
- Brakes checked
- Tire condition and pressure checked

12/23/2016

Florida  
Motor Vehicle Dept.  
Fort Lauderdale, FL

**Registration issued or renewed**

- Titled or registered as personal vehicle
- Vehicle color noted as Gray

06/23/2017 27,815

Gunther Volkswagen of  
Ft. Lauderdale



**Vehicle serviced**

- Maintenance inspection completed

Fort Lauderdale, FL  
954-453-6329

4.5 / 5.0

462 Verified Reviews

320 Customer Favorites

- Battery/charging system checked
- Brakes checked
- Front brake rotor(s) resurfaced
- Tire condition and pressure checked

11/06/2017 31,469

Gunther Volkswagen of  
Ft. Lauderdale  
Fort Lauderdale, FL  
954-453-6329

4.5 / 5.0

462 Verified Reviews

320 Customer Favorites



**Vehicle serviced**

- Maintenance inspection completed
- Battery/charging system checked
- Battery replaced
- Brakes checked
- Tire condition and pressure checked

11/27/2017

Florida  
Motor Vehicle Dept.  
Fort Lauderdale, FL

**Registration issued or renewed**

- Titled or registered as personal vehicle
- Vehicle color noted as Gray

02/22/2018 34,795

Gunther Motor Company  
954-797-1600

4.5 / 5.0

730 Verified Reviews

24 Customer Favorites



**Vehicle serviced**

- Maintenance inspection completed
- Battery/charging system checked
- Brakes checked
- Tire condition and pressure checked

02/22/2018

Florida  
Motor Vehicle Dept.  
Fort Lauderdale, FL

**Registration issued or renewed**

- Titled or registered as personal vehicle
- Vehicle color noted as Gray

12/04/2018

Florida  
Motor Vehicle Dept.  
Fort Lauderdale, FL

**Registration issued or renewed**

- Titled or registered as personal vehicle
- Vehicle color noted as Gray

11/14/2019

Florida  
Motor Vehicle Dept.  
Fort Lauderdale, FL

**Registration issued or renewed**

- Titled or registered as personal vehicle
- Vehicle color noted as Gray

10/14/2020

Florida  
Motor Vehicle Dept.  
Fort Lauderdale, FL

**Registration issued or renewed**

- Titled or registered as personal vehicle
- Vehicle color noted as Gray

05/07/2021

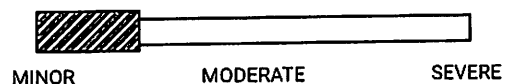
Damage Report

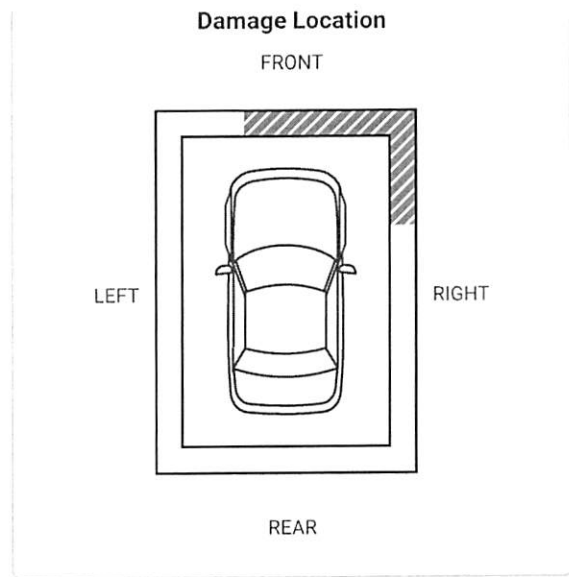


**Accident reported: minor damage with another motor vehicle**

- Damage to front
- Damage to right front
- Airbags did not deploy

**Damage Severity Scale**





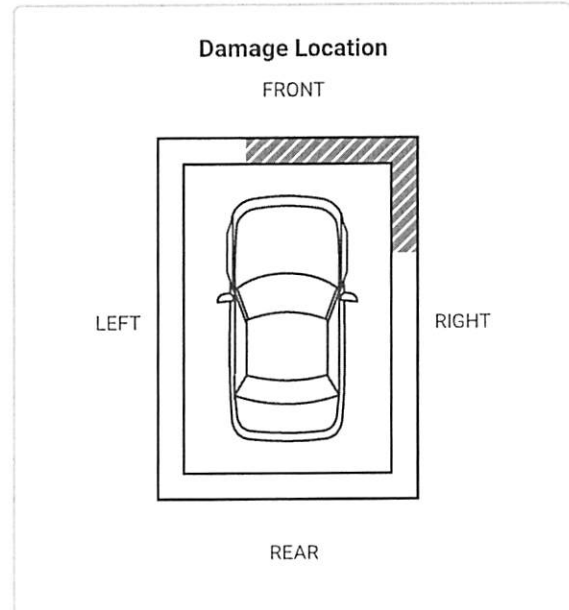
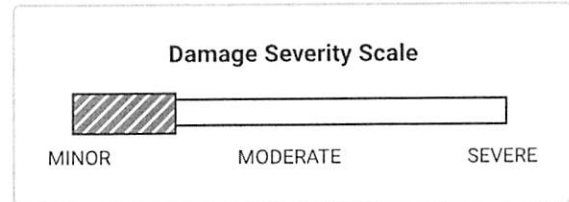
06/02/2021

Damage Report



**Accident reported: minor damage with another motor vehicle**

- Damage to right front
- Damage to front
- Airbags did not deploy



07/08/2021

Gunther Motor Company  
954-797-1600



**Vehicle serviced**

★ 4.5 / 5.0  
730 Verified Reviews

10/21/2021

Florida  
Motor Vehicle Dept.  
Fort Lauderdale, FL

**Registration issued or renewed**

- Titled or registered as personal vehicle
- Vehicle color noted as Gray

01/20/2022 75,054

Service Plan Co.  
Fort Lauderdale, FL

**Service contract issued**

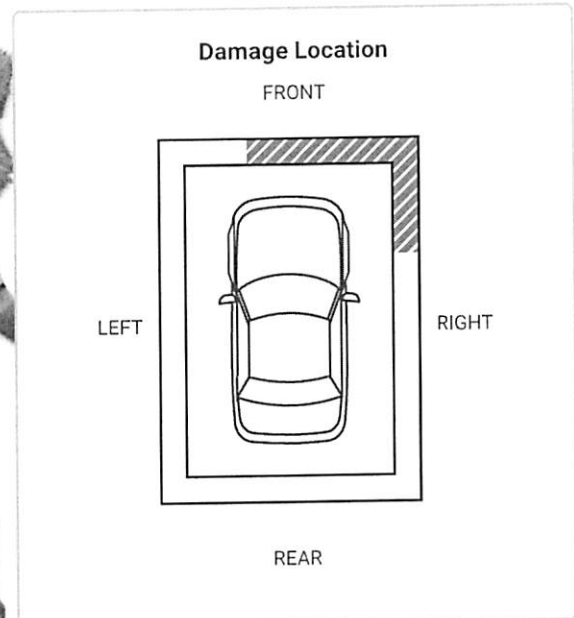
05/12/2022

Damage Report



**Accident reported with another motor vehicle**

- Damage to right front
- Damage to front
- Functional damage reported
- Airbags did not deploy



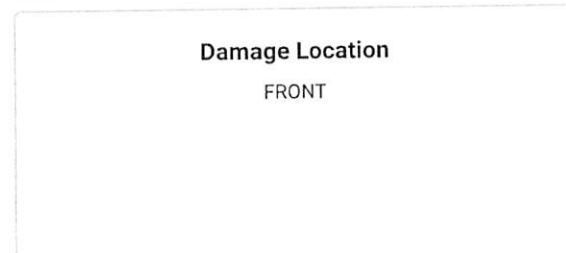
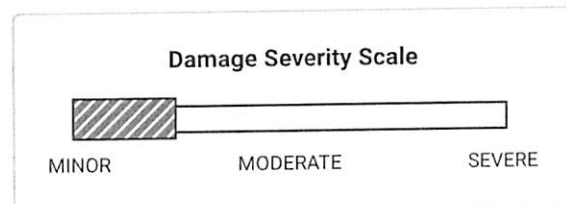
11/20/2022

Damage Report

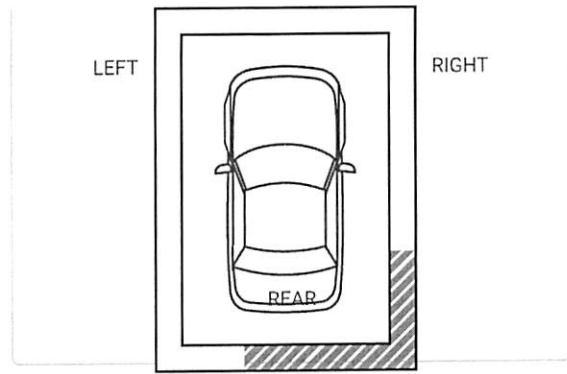



**Accident reported: minor damage with another motor vehicle**

- Damage to right rear
- Damage to rear
- Airbags did not deploy







02/24/2023	Florida Motor Vehicle Dept. Fort Lauderdale, FL	<b>Registration issued or renewed</b> - Titled or registered as personal vehicle - Vehicle color noted as Gray
09/02/2023	89,789 Gunther Motor Company 954-797-1600 ★ 4.5 / 5.0 730 Verified Reviews ♥ 24 Customer Favorites	 <b>Vehicle serviced</b> - Oil and filter changed
03/27/2025	Florida Motor Vehicle Dept. Boca Raton, FL	<b>Registration issued or renewed</b> - Titled or registered as personal vehicle - Vehicle color noted as Gray

Have Questions? Please visit our Help Center at [www.carfax.com](http://www.carfax.com).



## Glossary

### Accident Indicator

CARFAX receives information about accidents in all 50 states, the District of Columbia and Canada.

Not every accident is reported to CARFAX. As details about the accident become available, those additional details are added to the CARFAX Vehicle History Report. CARFAX recommends that you have this vehicle inspected by a qualified mechanic.

- According to the National Safety Council, Injury Facts, 2021 edition, 5% of the 276 million registered vehicles in the U.S. were involved in an accident in 2019. Over 77% of these were considered minor or moderate.
- This CARFAX Vehicle History Report is based only on information supplied to CARFAX and available as of 4/29/25 at 5:07:24 PM (CDT). Other information about this vehicle, including problems, may not have been reported to CARFAX. Use this report as one important tool, along with a vehicle inspection and test drive, to make a better decision about your next used car.

### Damage Indicator

Damage can be a result of many different types of events. Examples include contact with objects (other cars, trees, traffic signs, road debris, etc), vandalism, or weather-related events. Not every damage event is reported to CARFAX. As details about the damage event become available, those additional details are added to the CARFAX Vehicle History Report. CARFAX recommends that you have this vehicle inspected by a qualified mechanic.

- This CARFAX Vehicle History Report is based only on information supplied to CARFAX and available as of 4/29/25 at 5:07:24 PM (CDT). Other information about this vehicle, including problems, may not have been reported to CARFAX. Use this report as one important tool, along with a vehicle inspection and test drive, to make a better decision about your next used car.

### Damage Severity

Damage events result in one of the following severity levels:

- **Minor:** Generally, minor damage is cosmetic (including dents or scratches), may only require reconditioning, and typically does not compromise a vehicle's operation and/or safety.
- **Moderate:** Moderate damage may affect multiple components of the vehicle and may impair the vehicle's operation and/or safety.
- **Severe:** Severe damage usually affects multiple components of the vehicle and is likely to compromise the vehicle's operation and/or safety.

CARFAX recommends getting a pre-purchase inspection at a certified collision repair facility.

### First Owner

When the first owner(s) obtains a title from a Department of Motor Vehicles as proof of ownership.

### Ownership History

CARFAX defines an owner as an individual or business that possesses and uses a vehicle. Not all title transactions represent changes in ownership. To provide estimated number of owners, CARFAX proprietary technology analyzes all the events in a vehicle history. Estimated ownership is available for vehicles manufactured after 1991 and titled solely in the US including Puerto Rico. Dealers sometimes opt to take ownership of a vehicle and are required to in the following states: Maine, Massachusetts, New Jersey, Ohio, Oklahoma, Pennsylvania and South Dakota. Please consider this as you review a vehicle's estimated ownership history.

### Title Issued

A state issues a title to provide a vehicle owner with proof of ownership. Each title has a unique number. Each title or registration record on a CARFAX report does not necessarily indicate a change in ownership. In Canada, a registration and bill of sale are used as proof of ownership.

Follow Us:



[facebook.com/CARFAX](https://www.facebook.com/CARFAX)



[@CARFAXinc](https://twitter.com/CARFAXinc)



[About CARFAX](#)

CARFAX DEPENDS ON ITS SOURCES FOR THE ACCURACY AND RELIABILITY OF ITS INFORMATION. THEREFORE, NO RESPONSIBILITY IS ASSUMED BY CARFAX OR ITS AGENTS FOR ERRORS OR OMISSIONS IN THIS REPORT. CARFAX FURTHER EXPRESSLY DISCLAIMS ALL WARRANTIES, EXPRESS OR IMPLIED, INCLUDING ANY IMPLIED WARRANTIES OF MERCHANTABILITY OR FITNESS FOR A PARTICULAR PURPOSE.

© 2025 CARFAX, Inc., part of S&P Global. All rights reserved.

4/29/25 5:07:24 PM (CDT)